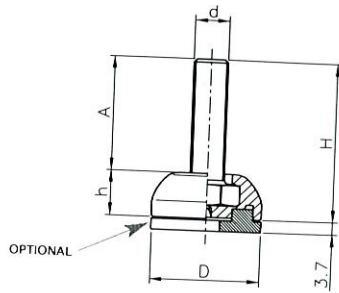
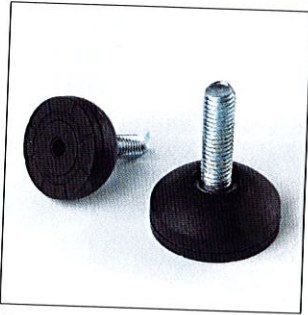


1188 FIXED FEET



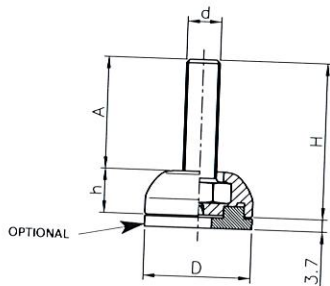
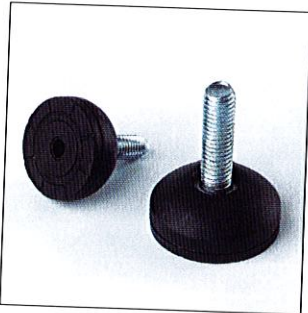
Treated threaded steel stud.
PA: Black reinforced polyamide base.
* Max. static load.

Code	D	H	h	d	A	Kg*	Color
118832520	32	38	13	M5	25	500	Black
118832512	32	43	13	M6	30	700	Black
118832533	32	39	13	M8	26	800	Black
118832534	32	36	13	M10	23	800	Black
118840520	40	38	13	M5	25	500	Black
118840540	40	43	13	M6	30	700	Black
118840533	40	49	13	M8	36	800	Black
118840534	40	46	13	M10	33	800	Black



Optional:
Non-slip rubber pad.
Supplied as an accessory (not mounted).
Ø 32mm Code 118800903
Ø 40mm Code 118800904

1188 FIXED FEET WITH SS STUD



Stainless-steel AISI-304 threaded stud.
PA: Black reinforced polyamide base.
* Max. static load.

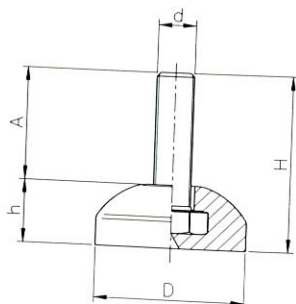
Code	D	H	h	d	A	Kg*	Color
118832553	32	43	13	M6	30	700	Black
118832550	32	39	13	M8	26	800	Black
118832551	32	36	13	M10	23	800	Black
118840552	40	43	13	M6	30	700	Black
118840550	40	49	13	M8	36	800	Black
118840551	40	46	13	M10	33	800	Black



Optional:
Non-slip rubber pad.
Supplied as an accessory (not mounted).
Ø 32mm Code 118800903
Ø 40mm Code 118800904

INOX
Stainless
Steel

1188 FIXED RUBBER FEET



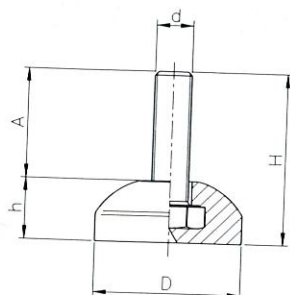
Treated threaded steel stud.
RB: Rubber (Sh A 80).
* Max. static load.

Code	D	H	h	d	A	Kg*	Color
118832570	32	39	16	M8	23	300	Black
118832571	32	36	16	M10	20	400	Black
118840570	40	44	16	M8	28	300	Black
118840571	40	46	16	M10	30	400	Black

1188 FIXED RUBBER FEET WITH SS STUD



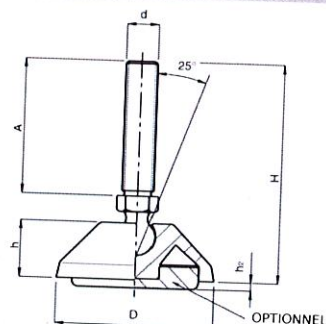
INOX
Stainless
Steel



Code	D	H	h	d	A	Kg*	Color
118832580	32	39	16	M8	23	300	Black
118832581	32	36	16	M10	20	400	Black
118840580	40	49	16	M8	33	300	Black
118840581	40	46	16	M10	30	400	Black

Stainless-steel AISI-304 threaded stud.
RB: Rubber (Sh A 80).
* Max. static load.

1189 ADJUSTABLE FEET



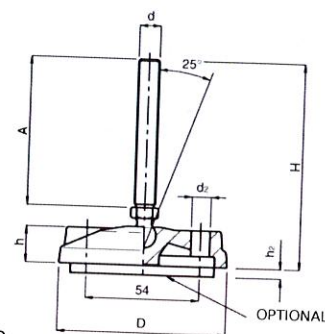
Code	D	H	h	d	A	h2	Kg*	Color
118903851	32	67	13	M8	45	2	1000	Black
118903852	32	92	13	M8	70	2	1000	Black
118903853	32	67	13	M10	45	2	1000	Black
118903854	32	92	13	M10	70	2	1000	Black
118904851	40	67	13	M8	45	3	1000	Black
118904852	40	92	13	M8	70	3	1000	Black
118904853	40	67	13	M10	45	3	1000	Black
118904854	40	92	13	M10	70	3	1000	Black
118905856	50	72	18	M8	45	2	1000	Black
118905857	50	97	18	M8	70	2	1000	Black
118905851	50	72	18	M10	45	2	1000	Black
118905852	50	97	18	M10	70	2	1000	Black
118905853	50	72	18	M12	45	2	1000	Black
118905854	50	97	18	M12	70	2	1000	Black
118908861	80	73	19	M8	45	2	1000	Black
118908862	80	98	19	M8	70	2	1000	Black
118908853	80	73	19	M10	45	2	1000	Black
118908854	80	98	19	M10	70	2	1000	Black
118908851	80	73	19	M12	45	2	1000	Black
118908852	80	98	19	M12	70	2	1000	Black
118908863	80	98	19	M14	70	2	1000	Black
118908864	80	148	19	M14	120	2	1000	Black
118908855	80	98	19	M16	70	2	1000	Black
118908856	80	148	19	M16	120	2	1000	Black
118908857	80	128	19	M20	100	2	1000	Black

Treated threaded steel stud.
PA: Black reinforced polyamide base.
* Max. static load.(vertical stud)



Optional:
Non-slip rubber pad.
Supplied as an accessory (not mounted).
Ø 32 mm Code 1188 00 903
Ø 40 mm Code 1188 00 904
Ø 50 mm Code 1189 00 905 (NBR 70 Shore A)
Ø 80 mm Code 1189 00 907 (NBR 70 Shore A)

1190 ADJUSTABLE FEET WITH THROUGH HOLES



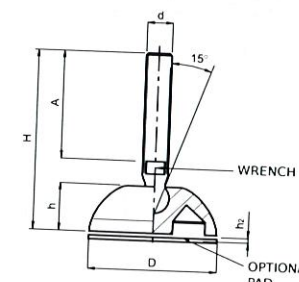
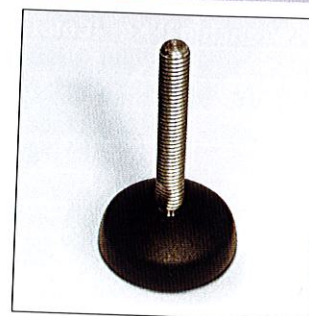
Code	D	H	h	d	A	h2	d2	Kg*	Color
119008858	80	73	19	M8	45	2	9	1000	Black
119008859	80	98	19	M8	70	2	9	1000	Black
119008853	80	73	19	M10	45	2	9	1000	Black
119008854	80	98	19	M10	70	2	9	1000	Black
119008851	80	73	19	M12	45	2	9	1000	Black
119008852	80	98	19	M12	70	2	9	1000	Black
119008860	80	98	19	M14	70	2	9	1000	Black
119008861	80	148	19	M14	120	2	9	1000	Black
119008855	80	98	19	M16	70	2	9	1000	Black
119008856	80	148	19	M16	120	2	9	1000	Black
119008857	80	128	19	M20	100	2	9	1000	Black

Treated threaded steel stud.
PA: Black reinforced polyamide base.
* Max. static load.(vertical stud)



Optional:
Non-slip rubber pad NBR 70 Shore A.
Supplied as an accessory (not mounted).
Ø 80 mm Code 1190 00 908

4201 ADJUSTABLE FEET 40/50 STAINLESS-STEEL STUD



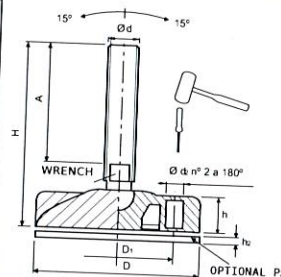
Code	D	h	d	A	H	Wrench	h2	Kg*	Color
420104550	40	13	M8	45	68	6	2,5	1000	Black
420104551	40	13	M8	65	88	6	2,5	1000	Black
420104552	40	13	M10	35	60	8	2,5	1100	Black
420104553	40	13	M10	70	95	8	2,5	1100	Black
420105550	50	13	M8	45	68	6	2,5	1100	Black
420105551	50	13	M8	65	88	6	2,5	1100	Black
420105552	50	13	M10	35	60	8	2,5	1200	Black
420105553	50	13	M10	70	95	8	2,5	1200	Black
420105554	50	13	M12	43	70	10	2,5	1300	Black
420105555	50	13	M12	63	90	10	2,5	1300	Black

Stainless-steel AISI-304 threaded stud.
PA: Reinforced polyamide.
*Maximum static load calculated with vertical stud.
Other studs lengths: Please ask!

Optional: Non-slip rubber pad made of black PVC is supplied as an accessory (not mounted).
Ø 40 mm Code: 4250 01 040
Ø 50 mm Code: 4250 01 050

INOX
Stainless
Steel

4201 ADJUSTABLE FEET 102/124 WITH STEEL STUD

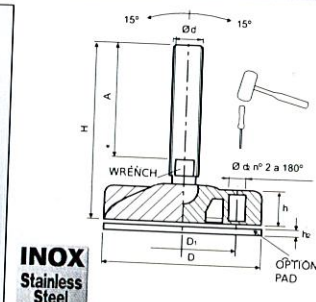


Code	D	D1	h	d	A	H	d2	Wrench	h2	Kg*	Color
420110530	102	74	18	M16	90	130	10,5	13	3	2200	Black
420110531	102	74	18	M16	125	165	10,5	13	3	2200	Black
420110532	102	74	18	M16	165	205	10,5	13	3	2200	Black
420110533	102	74	18	M20	116	160	10,5	17	3	2400	Black
420110534	102	74	18	M20	206	250	10,5	17	3	2400	Black
420112530	124	94	24	M16	90	134	10,5	13	3	2500	Black
420112531	124	94	24	M16	125	169	10,5	13	3	2500	Black
420112532	124	94	24	M16	165	209	10,5	13	3	2500	Black
420112533	124	94	24	M20	116	164	10,5	17	3	2700	Black
420112534	124	94	24	M20	206	254	10,5	17	3	2700	Black

Zinc-plated treated threaded stud.
PA: Reinforced polyamide.
*Maximum static load calculated with vertical stud.
Holes can be opened with the help of a hammer for fixing the foot to the floor. Other studs lengths: Please ask.

Optional: Non-slip rubber pad made of black PVC is supplied as an accessory (not mounted).
Ø 102 mm Code: 4250 01 100
Ø 124 mm Code: 4250 01 120

4201 ADJUSTABLE FEET 80/102/124 WITH STAINLESS-STEEL STUD



Code	D	D1	h	d	A	H	d2	Wrench	h2	Kg*	Color
420108550	80	54	14	M8	45	74	9	6	3	1200	Black
420108551	80	54	14	M8	65	94	9	6	3	1200	Black
420108552	80	54	14	M10	35	66	9	8	3	1400	Black
420108553	80	54	14	M10	70	101	9	8	3	1400	Black
420108554	80	54	14	M12	43	76	9	10	3	1500	Black
420108555	80	54	14	M12	77	111	9	10	3	1500	Black
420108556	80	54	14	M16	60	97	9	13	3	1900	Black
420108557	80	54	14	M16	125	162	9	13	3	1900	Black
420108558	80	54	14	M20	116	157	9	17	3	2100	Black
420110550	102	74	18	M16	90	130	10,5	13	3	2200	Black
420110551	102	74	18	M16	125	165	10,5	13	3	2200	Black
420110552	102	74	18	M16	165	205	10,5	13	3	2200	Black
420110553	102	74	18	M20	116	160	10,5	17	3	2400	Black
420110554	102	74	18	M20	206	250	10,5	17	3	2400	Black
420112550	124	94	24	M16	90	134	10,5	13	3	2500	Black
420112551	124	94	24	M16	125	169	10,5	13	3	2500	Black
420112552	124	94	24	M16	165	209	10,5	13	3	2500	Black
420112553	124	94	24	M20	116	164	10,5	17	3	2700	Black
420112554	124	94	24	M20	206	254	10,5	17	3	2700	Black

Stainless-steel AISI 304 threaded stud.
PA: Reinforced polyamide.
*Maximum static load calculated with vertical stud.
Holes can be opened with the help of a hammer for fixing the foot to the floor. Other studs lengths: Please ask.

Optional: Non-slip rubber pad made of black PVC is supplied as an accessory (not mounted).
Ø 80 mm Code: 4250 01 080
Ø 102 mm Code: 4250 01 100
Ø 124 mm Code: 4250 01 120